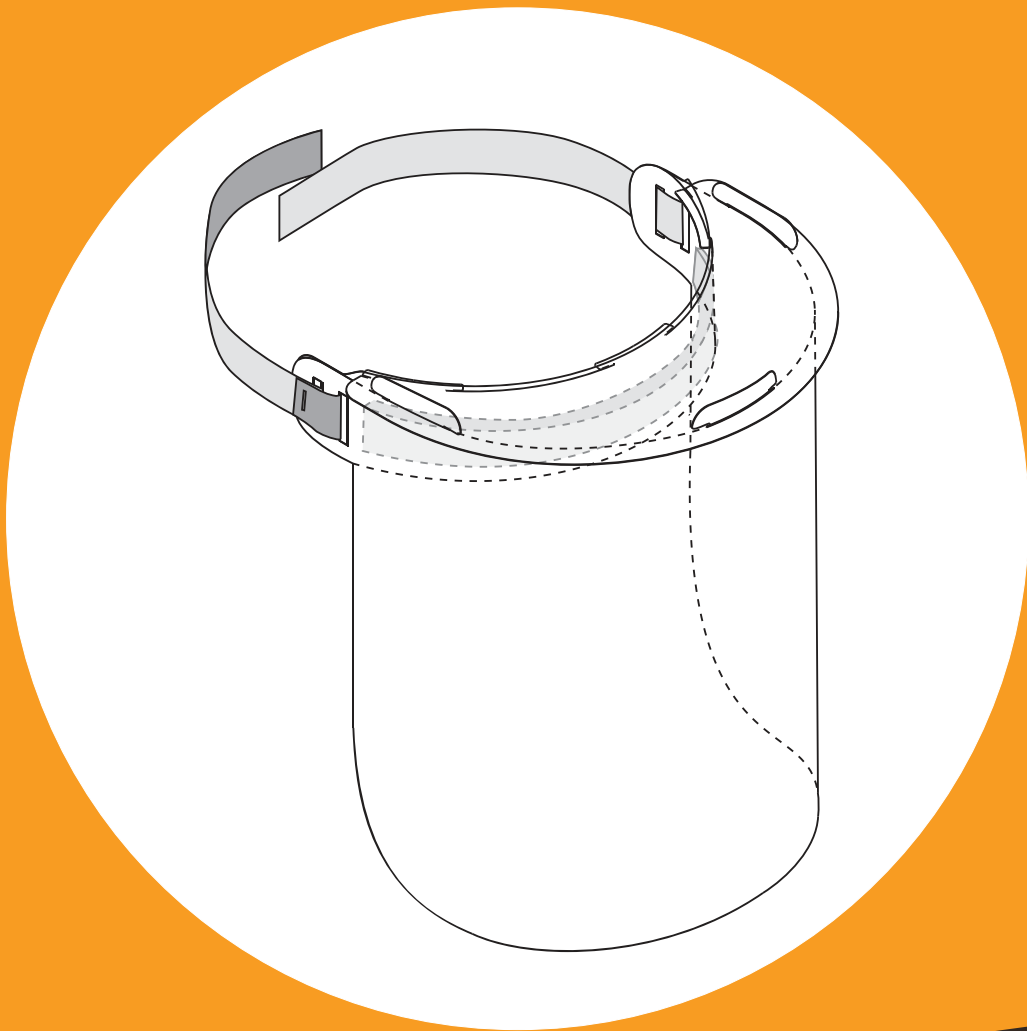


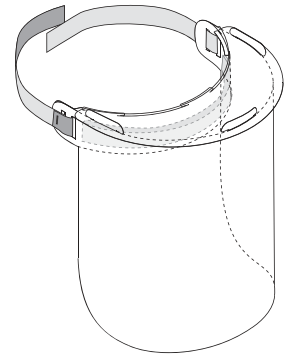
»»FACE SHIELD INSTRUCTION MANUAL



FACE SHIELDS FOR THE COVID-19 PANDEMIC

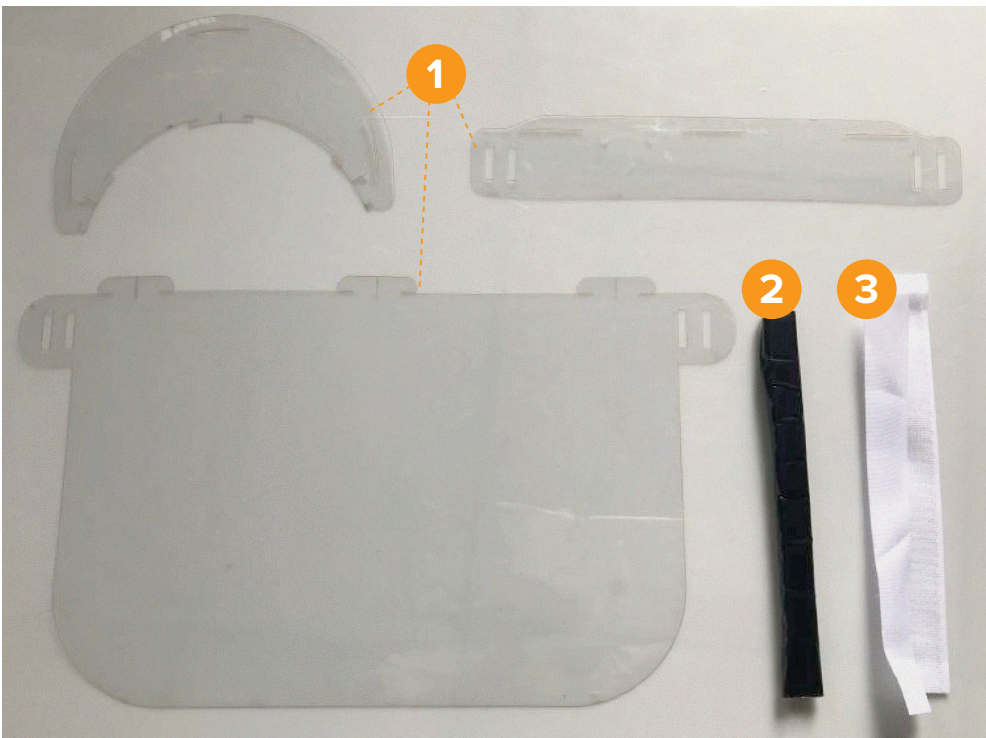
In March 2020, the COVID-19 pandemic hit Indonesia. Medical personnel and hospitals faced a shortage of personal protective equipment, including face shields.

As part of the COVID-19 Emergency Response Project, Kopernik's Solutions Lab have developed and distributed more than 4,500 face shields. The face shield design was approved by Bali's COVID-19 Special Task Force and the face shields have been distributed to the COVID-19 Special Task Force and health facilities in Bali and beyond.



The design is licensed under a Creative Commons Attribution-ShareAlike 4.0 International (CC BY-SA 4.0) license.

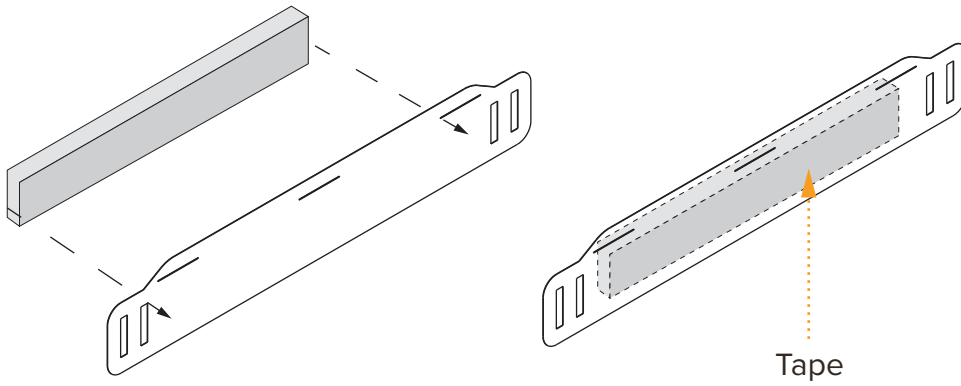
REQUIRED MATERIALS



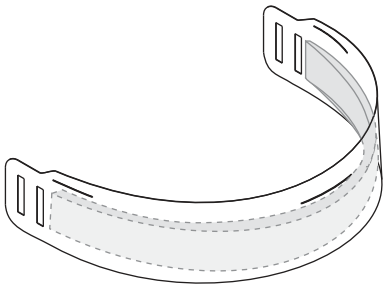
No	Items	Size	Material
1	Visor & Brim	0.3-0.5 mm	PVC/or similar transparent plastic (PETG/PC)
2	Headband	20 cm	EVA foam
3	Strap	24 cm	Velcro
Tools		Stapler, Cutter, Double tape (Laser cutter, Digital cutter or paper cutting machine for mass production)	

INSTRUCTIONS

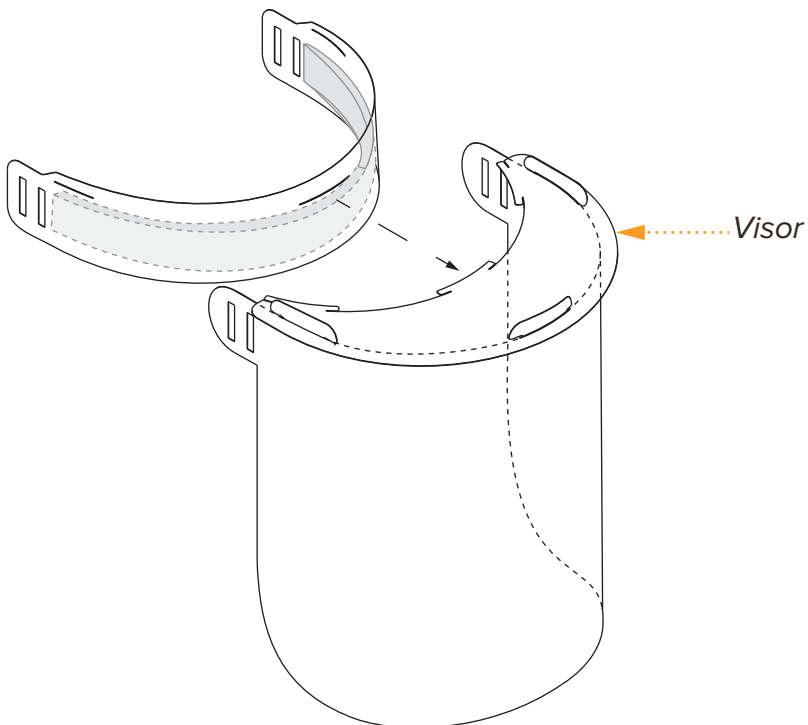
1. Attach the EVA foam to the headband using double tape.



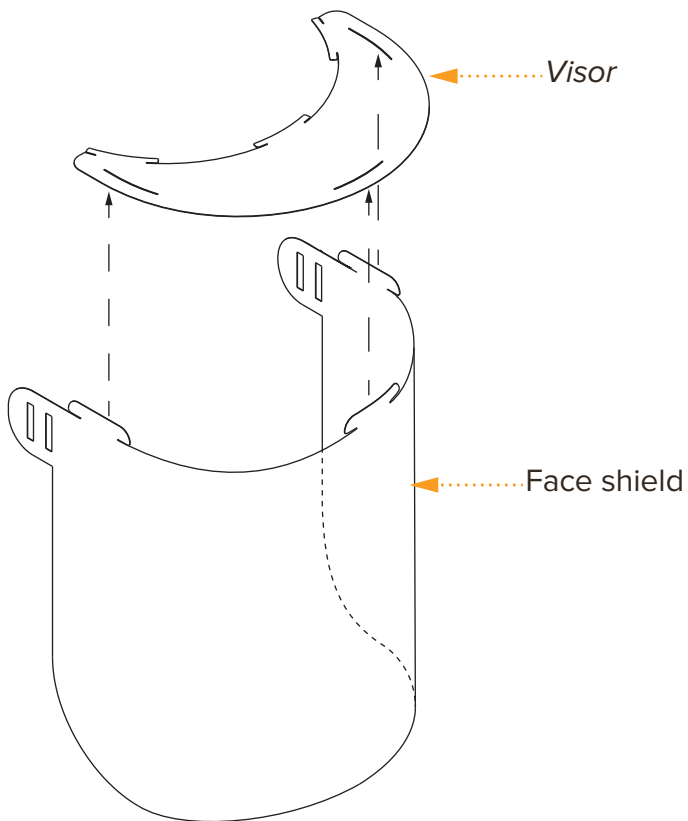
2. Bend the headband carefully to fit the shape of your forehead.



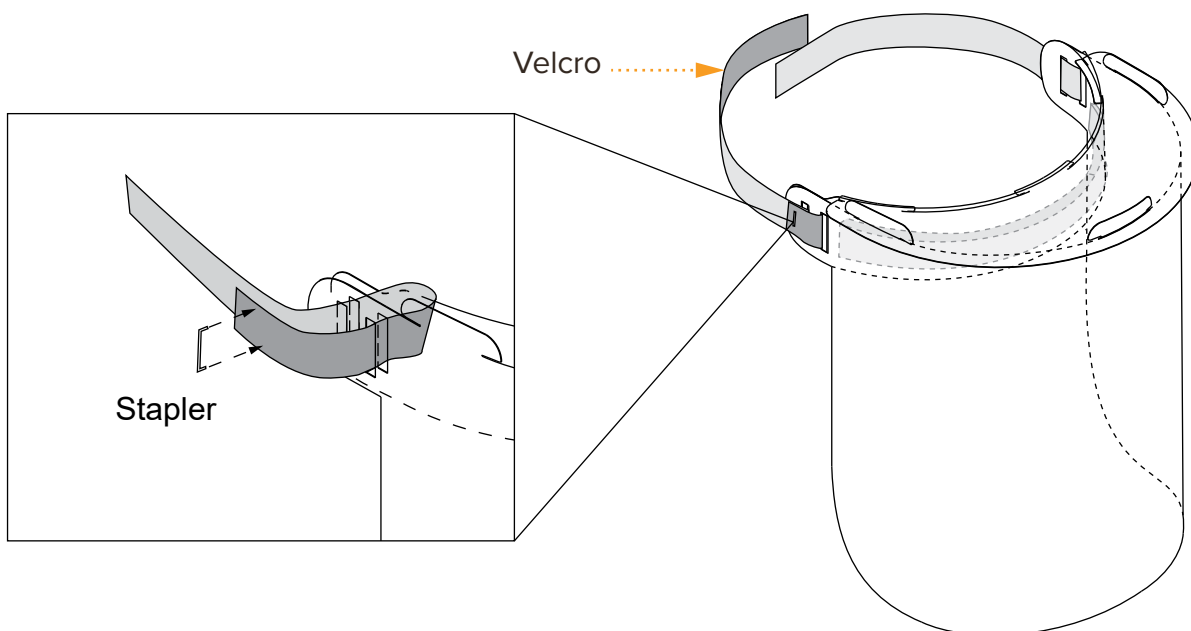
3. Attach the visor to the headband.



4. Attach the face shield to the visor.



5. Put the velcro strap to the face shield through the hole on the headband and use a stapler to lock the strap. Make sure you put both sides of the velcro, the coarse and the soft sides, accordingly, so that it fits properly.



ESTIMATED BUDGET

No	Items	Size	Estimated Price (Each)	
1	MIKA 0.3 mm	0.3-0.5 mm	IDR	4.500
2	EVA Foam 4mm	20 cm	IDR	100
3	Velcro	24 cm	IDR	600
Total			IDR	5.200



Address

Jalan Raya Mas, Mas, Ubud, Kabupaten Gianyar,
Bali 80571.

Telp: +62 361 9082486

Website: <http://kopernik.info>

Facebook: [facebook/thekopernik](https://www.facebook.com/thekopernik)

Instagram: [@kopernik.info](https://www.instagram.com/kopernik.info)

Twitter: [@thekopernik](https://twitter.com/thekopernik)

LinkedIn: [linkedin/company/kopernik](https://www.linkedin.com/company/kopernik)